

# Manual Griddles

## MODELS:

ATMG-24 / ATMG- 36 / ATMG-48

## Standard Features

- Stainless steel exterior & interior
- Stainless steel grease drawer
- Heavy duty 3/4" thick polished steel griddle plate
- 30,000 BTU Burners per 12" section with standby pilots
- Independent manual controls for each 12" section
- Stainless steel legs standard
- 3/4" NPT rear gas connection and regulator standard

ATMG-24



ATMG-36



ATMG-48



1 YR WARRANTY ON ALL PARTS AND LABOR (US ONLY)



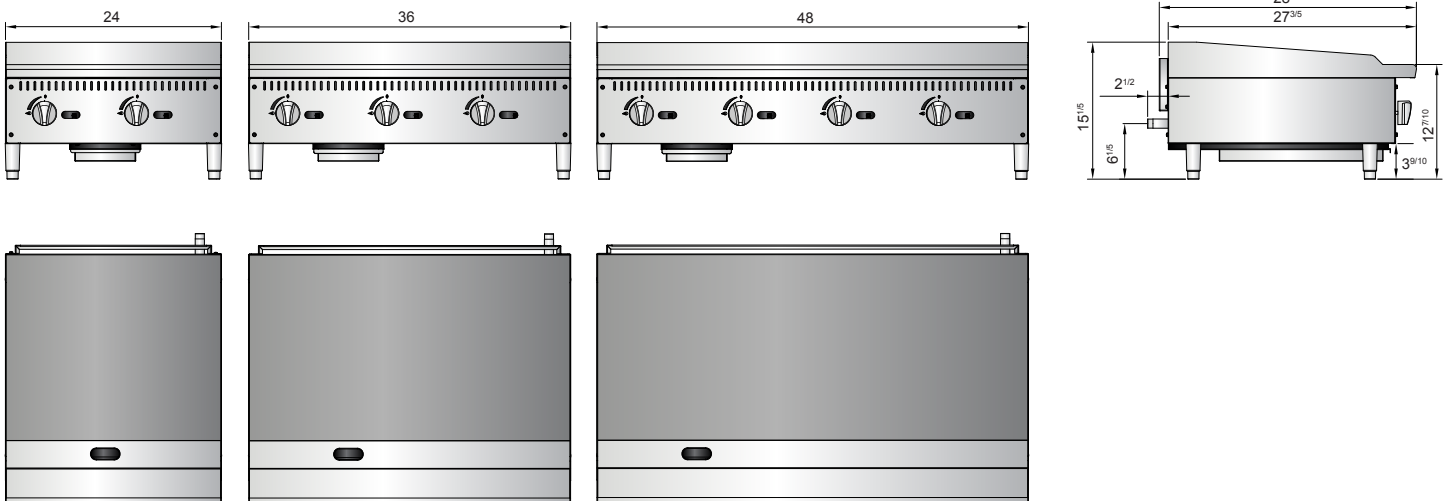
Conforms to ANSI  
STD Z83.11-2009 (2011)  
Certified to CSA  
STD 1.8B-2009 (2011)  
Conforms to NSF/ANSI STD.4



**SPECIFICATIONS**

Models	Burners and control method	Gas type	Intake-tube presssure (in. W.C.)	Per BTU B.T.U./h	Total BTU B.T.U./h	Regulator	Work area (inch)	Net weight (lbs)	Gross weight (lbs)
ATMG-24	2 Burners Independent Manual Control	NG	4	30,000	60,000	4" w.c.	23 <sup>9/10</sup> × 19 <sup>9/10</sup>	160.9	194.5
		LP	10	30,000	60,000	10" w.c.			
ATMG-36	3 Burners Independent Manual Control	NG	4	30,000	90,000	4" w.c.	35 <sup>7/10</sup> × 19 <sup>9/10</sup>	229	280.9
		LP	10	30,000	90,000	10" w.c.			
ATMG-48	4 Burners Independent Manual Control	NG	4	30,000	120,000	4" w.c.	47 <sup>9/10</sup> × 19 <sup>9/10</sup>	294	414
		LP	10	30,000	120,000	10" w.c.			

**PLAN VIEW**



**ATMG-24**

**ATMG-36**

**ATMG-48**

